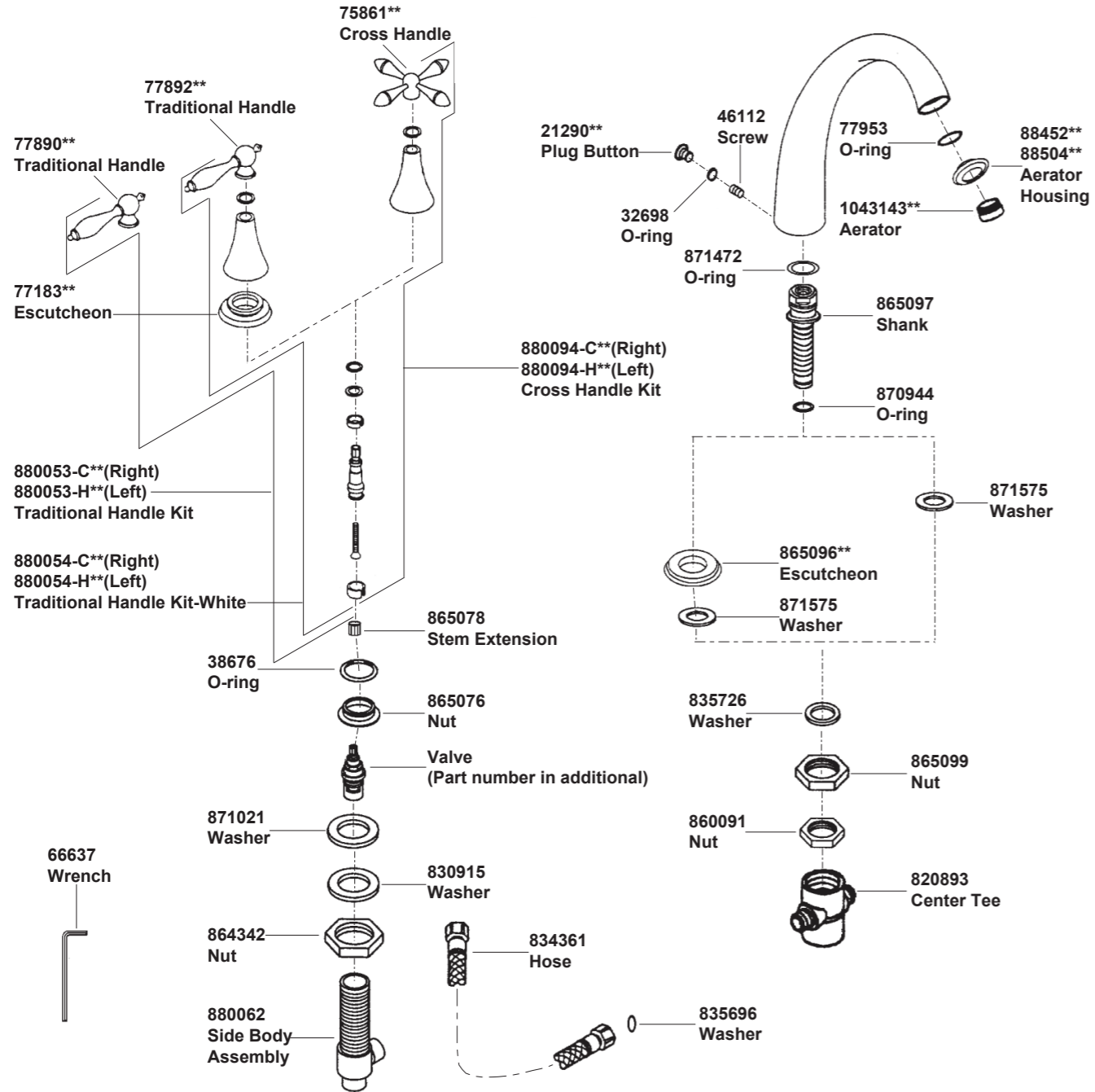


**8673 DECK-MOUNT BATH FAUCET**



| SKU       | Handle  | Handle Kit | Escutcheon | Escutcheon | Aerator Housing | Aerator | Valve(Left) | Valve(Right) |
|-----------|---------|------------|------------|------------|-----------------|---------|-------------|--------------|
| 8673-4M** | 77890** | 880053**   | 77183**    | 865096**   | 88452**         | 88454** | 835749      | 835750       |
| 8673-4P** | 77892** | 880054**   | 77183**    | 865096**   | 88452**         | 88454** | 835749      | 835750       |
| 8673-3**  | 75861** | 880094**   |            |            | 88504**         | 88454** | 835749      | 835749       |

\*\*Color code must be specified when ordering

**8673 DECK-MOUNT BATH FAUCET**

**BEFORE YOU BEGIN**

All information is based on the latest product information available at the time of publication. Kohler Co. reserves the right to make changes in product characteristics, packaging, or availability at any time without notice.

Please leave these instructions for the consumer. They contain important information.

**NOTES:**

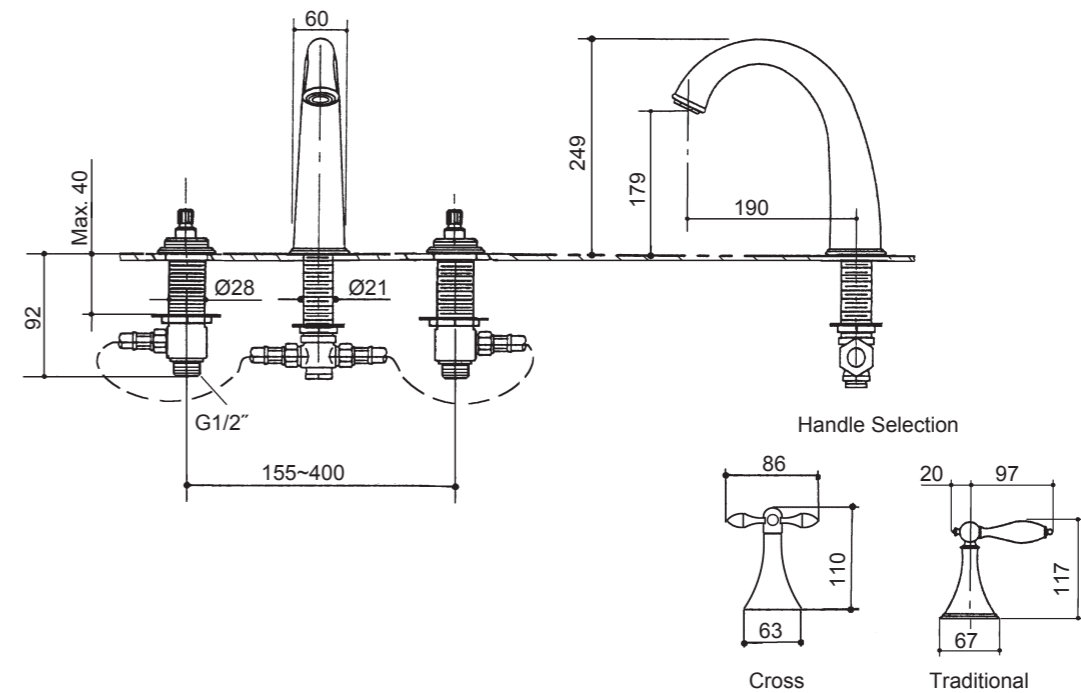
1. Shut off the water supplies to the fitting.
2. Inspect the supply tubing for damage. Replace as necessary.
3. Observe local plumbing codes.
4. If possible, install this faucet before installing the tub.

**HANDLE OPERATION**

Left handle opens with one-quarter turn counter-clockwise. Right handle opens with one-quarter turn clockwise.

(As for 8673-3, both handles open with one-quarter turn counter-clockwise and close with one-quarter turn clockwise.)

**ROUGH-IN DIMENSIONS**



## INSTALLATION

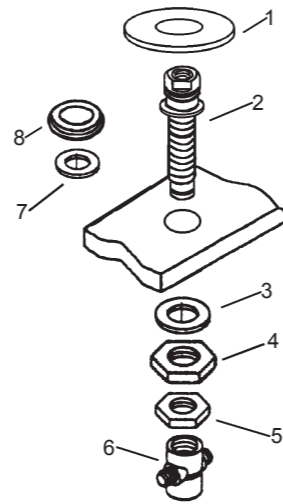
### How To Install The Shank

Remove the parts from the shank(2) and retain them according to the following order: supply tee(6), nut(5), nut(4) and washer(3).

Install the escutcheon(8) and washer(7) to the shank(2) (if scroll or cross handles are chosen, escutcheon will not be used), then fit the shank to the center hole of tub.

Install protecting sleeve(1) to the shank from the top. Install the washer(3), nut(4), nut(5), and wrench to tighten nut(4), then tighten nut(5).

Thread supply tee to the shank of the unit kit until hand-tight.



### How To Install The Side Bodies

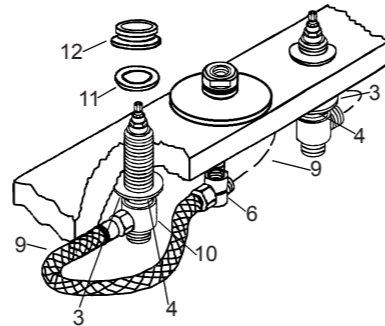
Thread nut(4), and followed by washer(3) onto each side body.

Connect the side bodies(10) and center tee(6) with hoses(9) as in the drawing.

**NOTE:** Install valve body with blue mark so it is on the right when facing the front of the faucet (There are no marks on the valve bodies cross handles, and both could be exchanged). To ease installation, you may back off the supply tee up to 180 degrees. Ensure that there is no kinking of the hoses. The hoses(9) should only be used here.

Insert side bodies through mounting holes from the bottom of the deck or bath tub rim.

Install washer(11) and thread nut(12) with flange side down on each side body. Wrench to tighten nut(4).

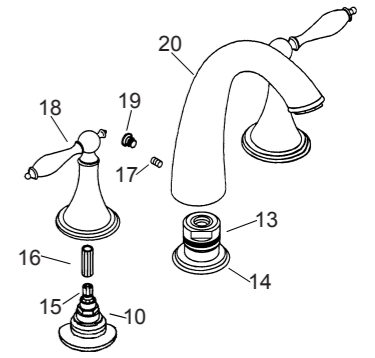


### How to Install The Handles And The Spout

Press the extension stem(16) onto the valve stem(15). Thread the assembled handle kit(18) to the side body(10) until it contacts the deck or bath tub rim (**NOTE:** The handle kit with red washer should be installed on the left side of body. If scroll handles or cross handles are chosen, escutcheon will not be used). Remove and discard the protecting sleeve.

Insert the spout(20) to the shank until it contacts the escutcheon(14) or deck. Tighten the screw(17) by hex wrench provided, then insert the plug button(19) into rear hole.

The following configuration shown is the correct position for the installed spout and handles when closed.

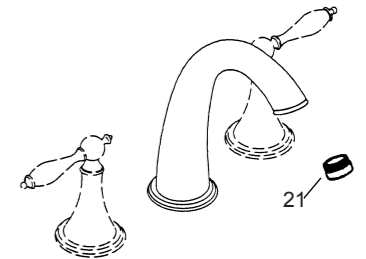


### INSTALLATION CHECKOUT

Ensure that all connections are tight.

Turn on the main supply and check for leaks.

Remove the aerator(21). Open both hot and cold valves and run water through the spout to remove any debris. Turn off the valves. Reinstall the aerator.



### CLEANING INSTRUCTIONS

All Finishes: Clean the finish with mild soap and warm water. Wipe entire surface completely dry with clean soft cloth. Many cleaners may contain chemicals, such as ammonia, chlorine, toilet cleaner etc. which could adversely affect the finish and are not recommended for cleaning.

Do not use abrasive cleaners or solvents on Kohler faucets and fittings.